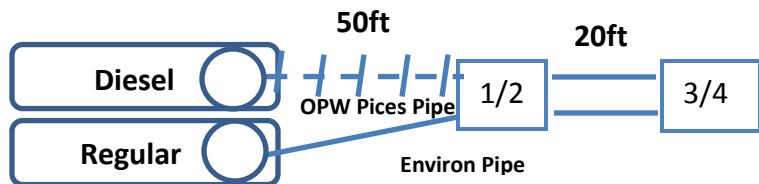
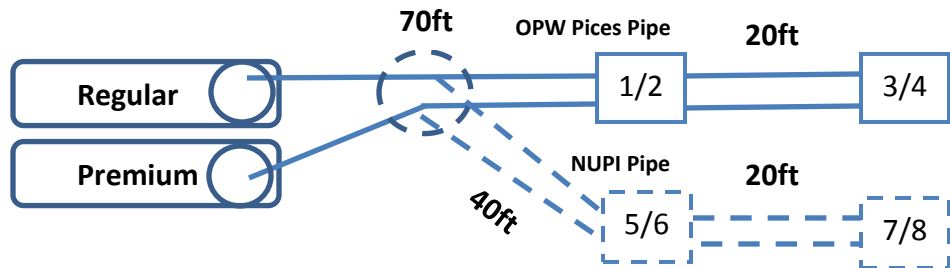


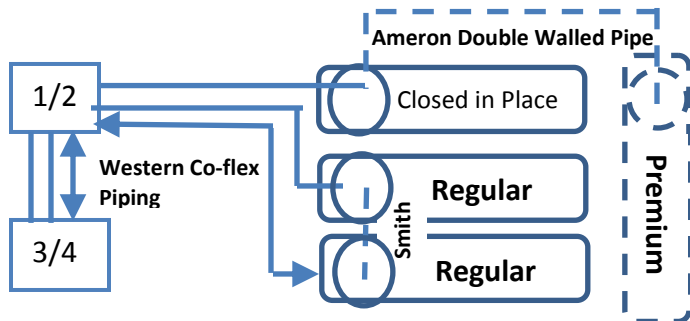
Examples Of "As Built" Drawing



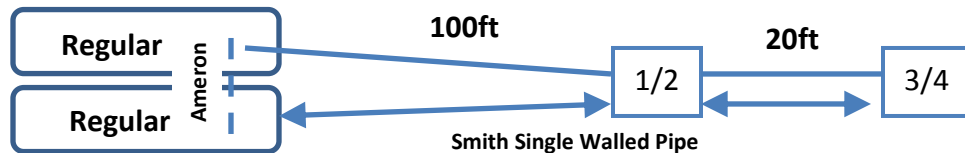
Ex. DSL Environ pipe replaced from tank to Disp 1/2 with OPW



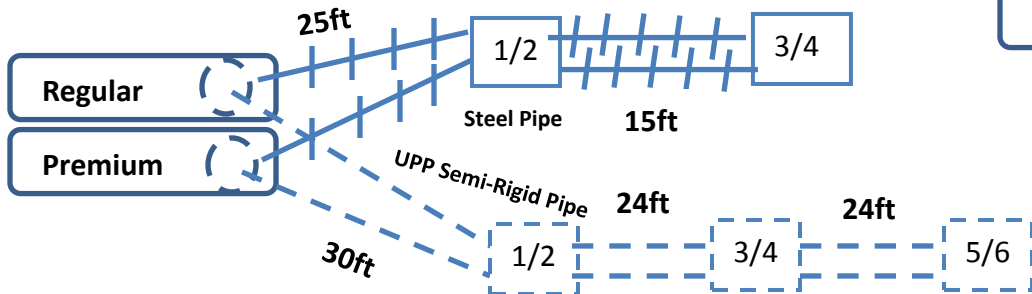
Ex. New Disp 5/6 & 7/8 added with new transition sump



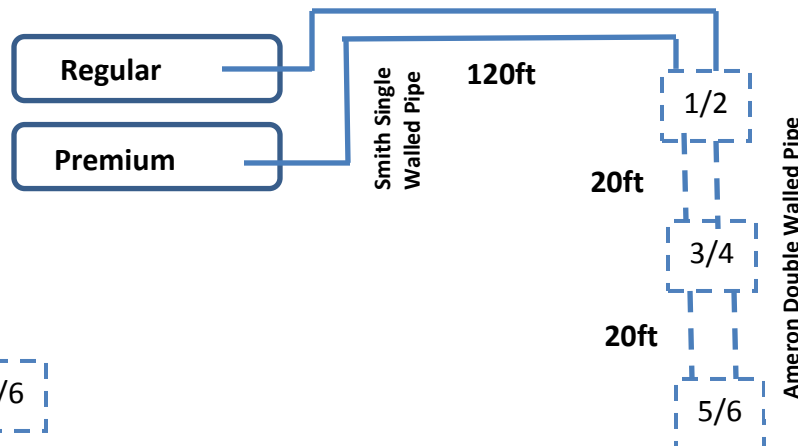
Ex. New tank and pipe tied into existing tank sump of closed in place tank. Manifold line installed. One pipe not in use.



Ex. New tank manifold line with partial pipe run removed.



Ex. Existing steel pipe removed. New pipe run installed.



Ex. New Disp 3/4 & 5/6 added with sump installed at Disp 1/2.

<u>Existing</u>	<u>Modified</u>	<u>New</u>
<div style="border: 1px solid black; padding: 2px; display: inline-block;">Product Grade</div> Tank <hr style="width: 100%;"/> <div style="border: 1px solid black; padding: 2px; display: inline-block;">Pipe</div> Pipe <div style="border: 1px solid black; border-radius: 50%; width: 20px; height: 20px; margin: 5px 0;"></div> Tank or Piping <div style="border: 1px solid black; padding: 2px; display: inline-block;">Transition Sump</div> Transition Sump <div style="border: 1px solid black; padding: 2px; display: inline-block;">#</div> Dispenser	<div style="border-top: 1px dashed black; width: 20px; height: 20px; display: inline-block;"></div> Pipe Removed <div style="border-top: 1px dashed black; width: 20px; height: 20px; display: inline-block;"></div> Pipe Replaced <div style="border-top: 1px dashed black; width: 20px; height: 20px; display: inline-block;"></div> Pipe Not in Use	<div style="border: 1px dashed black; padding: 2px; display: inline-block;">Product Grade</div> Tank <div style="border: 1px dashed black; padding: 2px; display: inline-block;">Pipe</div> Pipe <div style="border: 1px dashed black; border-radius: 50%; width: 20px; height: 20px; margin: 5px 0;"></div> Tank or Piping <div style="border: 1px dashed black; padding: 2px; display: inline-block;">Transition Sump</div> Transition Sump <div style="border: 1px dashed black; padding: 2px; display: inline-block;">#</div> Dispenser w/ Sump
	<div style="border: 1px solid black; padding: 2px; display: inline-block;">Facility ID #:</div> <div style="border: 1px solid black; padding: 2px; display: inline-block;">Installer:</div>	
	<div style="border: 1px solid black; padding: 2px; display: inline-block;">Facility Address:</div>	